

Uniden®

SSE P2

Wireless Alert Pendant

*For more exciting new products please visit our website:
Australia: www.uniden.com.au*

OWNER'S MANUAL

IMPORTANT SAFETY INSTRUCTIONS

The SSE P2 Pendant is an accessory product that must be registered to a compatible telephone model before use. Please read this Owner's Manual in full for details on the installation and operation of the SSE P2.

Basic safety precautions should always be followed to reduce the risk of fire, electric shock and injury to persons.

Some other things to help you make the most of your SSE P2 Pendant.

- **This unit is splashproof NOT waterproof.** Do not immerse the unit in water.
- The charger is not designed to be splash resistant. Do not place the pendant on the charger if the pendant is wet.
- If the pendant gets wet, wipe it with a soft dry cloth.
- Avoid using a telephone (other than a cordless type) during an electrical storm. There may be a remote risk of electric shock from lightning.
- Use the AC adaptor indicated in this manual.
- Do not expose the pendant to excessive heat, smoke, dust, chemicals and vibrations.

SAVE THESE INSTRUCTIONS!

Important Notice:

- Under power failure conditions this appliance may not operate. Please ensure that a separate telephone, not dependent on local power, is available for emergency use.

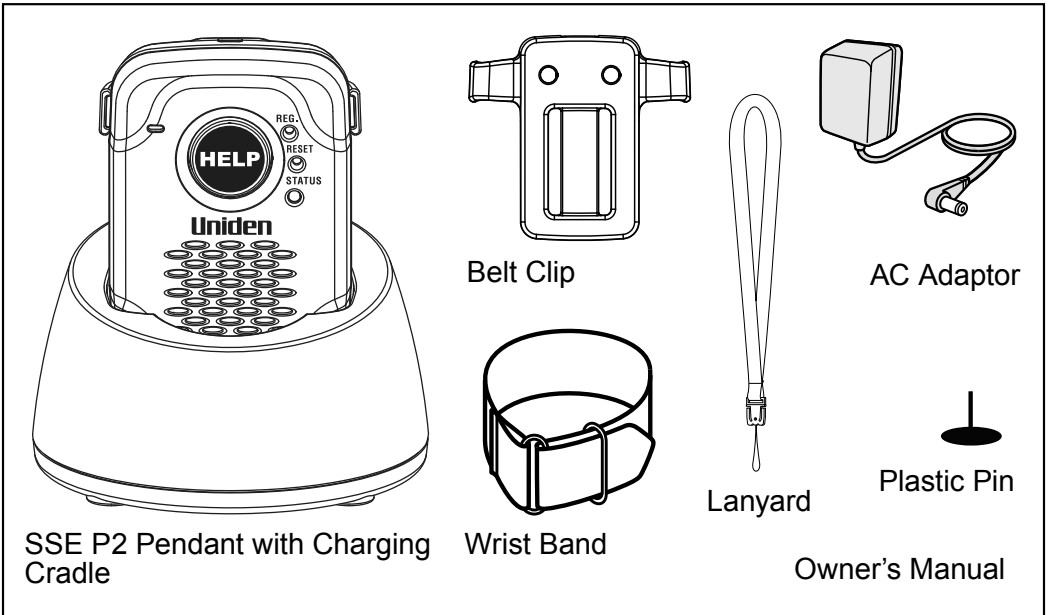
SSE P2 Pendant will not function properly in the following circumstances:

- If it is not registered properly with the compatible phone.
- If the battery is low.
- If the emergency (SOS) numbers have not been stored in the phone.
- If the registered phone is not connected to power and telephone line.

General Notices for New Zealand Model:

- The grant of a NZ Telepermit for any item of terminal equipment indicates only that Telecom has accepted that the item complies with minimum conditions for connection to its network. It indicates no endorsement of the product by Telecom, nor does it provide any sort of warranty. Above all, it provides no assurance that any item will work correctly in all respects with another item of Telepermitted equipment of a different make or model, nor does it imply that any product is compatible with all of Telecom's network services.
- This equipment may not provide for the effective hand-over of a call to another device connected to the same line.

WHAT'S IN THE BOX?

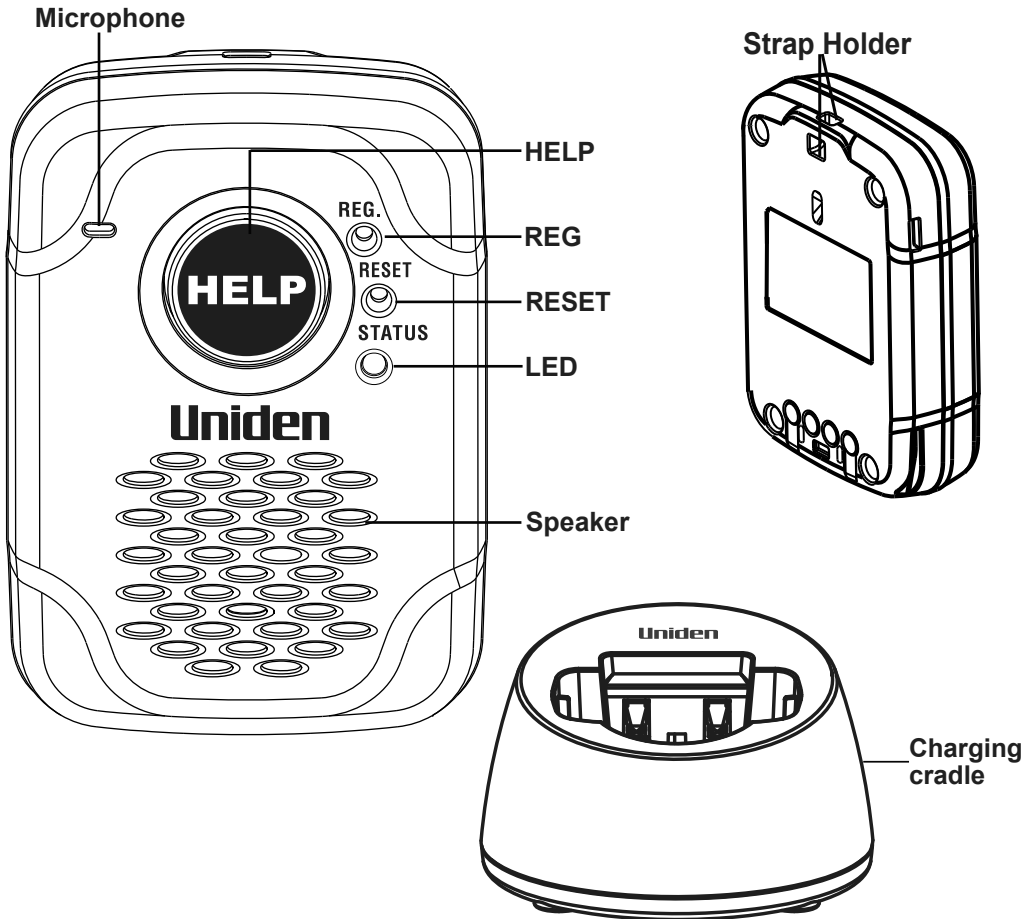


- If any item is missing or damaged, contact your place of purchase immediately. **Never use damaged products!**
- Need help? Get answers at our website: **www.uniden.com.au** for Australian model

CONTENTS

GETTING TO KNOW YOUR PENDANT	5
GETTING STARTED	6
Charging Your Pendant	6
Attach the Belt Clip	7
Using the Wrist band	7
Using the Lanyard	7
REGISTERING TO A BASE	8
Compatible Bases	8
Registration Methods	9
To SSE 47 Base	9
To SSE 45 Base	9
Multiple Pendant Capabilities	11
ADDING THE EMERGENCY NUMBERS	11
Editing the SOS Entries in the Phonebook	11
RECORDING THE OUTGOING MESSAGE	13
For SSE 47	13
For SSE 45	14
OPERATION	15
Make an Emergency Call	15
IMPORTANT INFORMATION	16
GENERAL INFORMATION	17
AC Adaptor	17
Battery Information	17
ONE-YEAR LIMITED WARRANTY	18

GETTING TO KNOW YOUR PENDANT



Buttons and Indicators	What it does
REG (Registration)	Use to register the Pendant with a compatible phone.
RESET	Use to reset the Pendant if registration fails. Pendant powers off after reset.
STATUS (LED)	Indicates the Pendant's status when the Pendant is in use. (See Status LED Indication table on page 6.)
SPEAKER	Listen to the other person through the speaker
MICROPHONE	Talk to the other person through the microphone.

GETTING STARTED

Before using the SSE P2 Pendant, it must first be charged, then registered to a compatible base. Finally, to get the most out of the SSE P2 Pendant's features, it is strongly recommended that emergency contact numbers are stored in the phonebook of the compatible base.

✎ Throughout the remainder of this manual, the SSE P2 Pendant will be referred to as the Pendant.

Charging Your Pendant

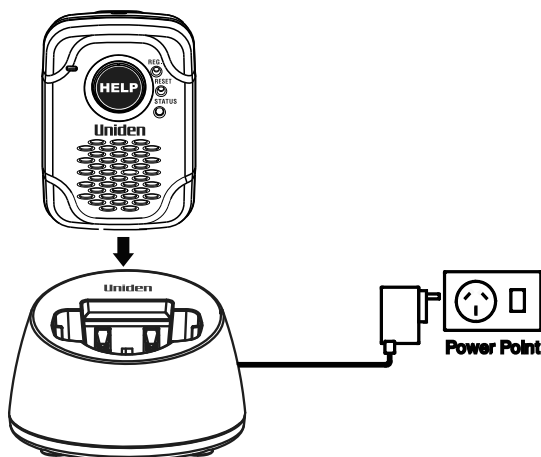
The battery for the Pendant is pre-installed.

1. Connect the AC adaptor to the charger's DC IN 5.4V jack.
2. Plug the other end of the adaptor into a standard 240V AC power outlet.
3. Place the Pendant on the cradle with the **HELP** button facing forward while charging.

✎ Charge the Pendant completely (about 3 hours) before using.

✎ Do not charge the Pendant when the ambient temperature is below 0° C (32°F) or above 40° C (104°F).

✎ Please ensure you charge the Pendant at least once per month or after activation. This is critical to ensure the Pendant's battery is always powered to meet your needs when required.



Status LED Indication	What it means
Blue	Charged
Red	Charging
Blinking Red	Battery is low
Blinking Blue	Successfully registered
Blinking Blue rapidly	During a call
Blink Blue and Red	During the registration process

✎ The LED lights only when the Pendant is being used. The Pendant automatically powers off after 2 minutes of inactivity.

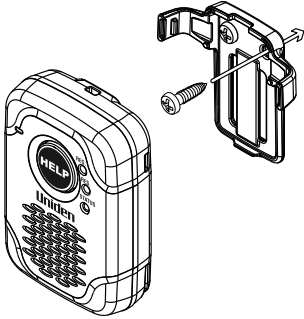
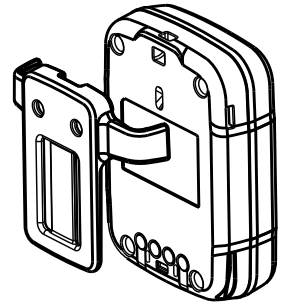
Attach the Belt Clip

To attach a belt clip:

1. Line the belt clip with the grooves at the side of the Pendant.
2. Then gently push until it snaps into place.

To remove the belt clip:

Gently pull out the belt clip from one groove and the other end will loosen on its own.



Mounting the Pendant to a wall using the Belt Clip:

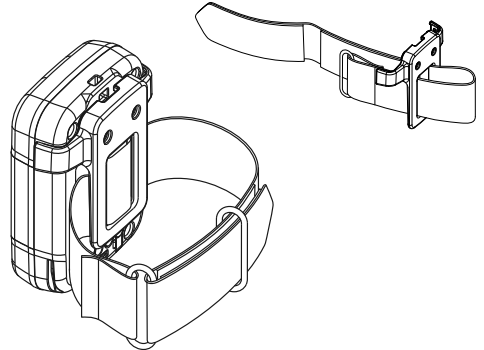
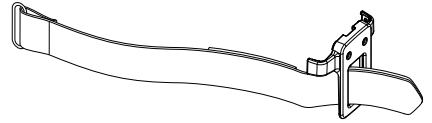
Alternatively, if you wish to mount the Pendant on a wall you can fasten the belt clip to the wall using appropriate fixing screws (not included).

Using the Wrist band

To attach a wrist band:

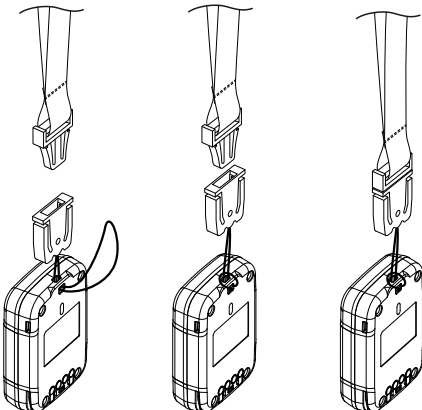
✂ The wrist band is attached to the Pendant with the help of the belt clip.

1. Insert one end of the wrist band into one of the slots on the belt clip and then pull it out through the other end.
2. Next, attach the belt clip to the Pendant and then wrap the strap around your wrist and keep it place with the help of the velcro fastener.



Using the Lanyard

The Pendant can be secured to the lanyard by simply passing the lanyard's fine cord through the slots on the top of the Pendant.



REGISTERING TO A BASE

✂ The Pendant will not work until you register it to a compatible base.

Compatible Bases

The Pendant is designed for use with Uniden's;

- SSE 45 Base
- SSE 47 Base

SSE 47



SSE 45



Registration Methods

To SSE 47 Base

1. On the SSE 47 base, press **MENU/OK** to open the menu and select the option, *Register Accy.* Press **MENU/OK**.



To SSE 45 Base

1. On the SSE 45 base, press and hold the **FIND HS** button, until the display blinks "/////..." (at least 5 seconds).



2. On the Pendant

✂ **Make sure the Pendant is fully charged before registering to the base.**

a) With the Pendant on the charger, use the plastic pin provided to press and hold **REG** until the Status LED starts to blink blue and red.

OR

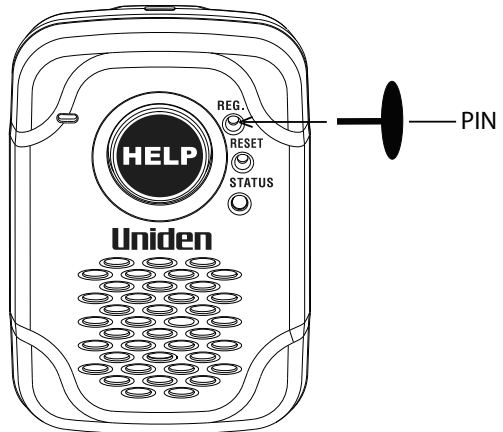
b) Take the Pendant off the charger and press **HELP** for 2-3 seconds until you hear a beep sound. Then use the plastic pin provided to press and hold **REG** until the Status LED starts to blink blue and red.

When the Pendant has been registered, a confirmation tone will sound.

Please Note:

✂ **If the registration fails, press the RESET switch with a pin and try again.**

✂ **Use the plastic pin (provided with the Pendant) or a blunt-tipped object like an uncurled paper clip to press the REG button. Do not press the REG button too hard using the PIN (or paperclip) as it may damage the button.**



Test your Pendant

✂ **The Pendant is usually powered off. To turn it on, press and hold HELP for more than 2 seconds.**

1. Pick up the Pendant and press and hold **HELP** until you hear a confirmation tone.
2. The Pendant will make a call to the first SOS number (SOS1) stored in the phonebook of the compatible base.
3. When the call is answered, the microphone on the Pendant is activated, so now you can speak to the other person.

✂ **Take this opportunity to test the range of the Pendant. Always use the Pendant within range of the base!**

To end the call, press **HELP** for 2 seconds or place the Pendant back in the cradle.

Multiple Pendant Capabilities

The telephone base unit can support communication with up to six (6) devices (handsets and/or pendants).

(Any additional handset or pendant purchased needs to be registered to the base unit - see page 9 “Registering to a Base”)

Registering multiple Pendants provides several additional benefits, for example:

- a) one person could have multiple Pendants positioned throughout the house, or
- b) two people could each have their own Pendant in a household.

ADDING THE EMERGENCY NUMBERS

The Pendant can dial 5 emergency contact numbers that are stored in the phonebook of the compatible base.

The emergency contact entries in the phonebook must be saved as these names; SOS1, SOS2, SOS3, SOS4, SOS5.

For your convenience the SSE45 and SSE47 come with these name entries pre-loaded into the phonebook. These entries have no (emergency) numbers stored. You need to edit these entries to add your emergency contact numbers. Store the numbers with the area code and in the order in which you want.

✎ **It is important to inform the people whose contact numbers are entered in the SOS contact list. Do not forget to mention that if they receive an emergency call from the Pendant they have to press # on their phone in order to talk to the Pendant.**

Editing the SOS Entries in the Phonebook

After registering the Pendant to either the SSE 45 or the SSE 47 base, store the emergency (SOS) numbers in the phonebook, by following the steps given below.

On the SSE45 Handset or SSE47 Base/Handset:

1. Press **PHONEBOOK** to get the options, *Home* and *Speed Dial*, displayed on the screen. The option *Home* is highlighted by default. Press **MENU/OK** to select it.
2. The options, *View Number*, *Create New*, *Delete All* are displayed on the screen. The option *View Number* is highlighted by default, press **MENU/OK** to select it.
3. The phonebook entries display. Use the **VOL UP** or **DOWN** button to highlight the *SOS 1* option.
4. Press **MENU/OK** to select *SOS1* entry. *SOS1* entry displays.

5. Press **MENU/OK**. The options *Edit* and *Delete* display. Choose *Edit* and press **MENU/OK**. *Edit Name SOS1* displays.
 6. Do not change the name. Press **MENU/OK**. *Edit Number* displays.
 7. Enter the desired phone number and press **MENU/OK**.
 7. The next settings are not required for emergency dial. Press **MENU/OK** to continue and save. *Saving and Done!* displays.
- Repeat for *SOS2*, *SOS3*, *SOS4* and *SOS5* entries.

Creating New SOS Entries in the Phonebook

If no SOS entries are pre-stored in the phonebook then follow the steps above but select *Create New* at step 2 and name the entry *SOS1* and continue the steps to edit the number and save the entry.

- 📞 **If you enter less than 5 SOS numbers, for example, you add just one SOS number, the Pendant will call that one number 5 times. Or if you add 2 numbers, it will alternate between those two numbers till it completes 5 calls.**

RECORDING THE OUTGOING MESSAGE

You can record a personal emergency message, in addition to the preset recorded message, when the Pendant is registered to the SSE 45 and SSE 47 series. This will enable your family/friends to be able to identify your voice and attend the call and it will also assure them that it is not a prank call.

🔇 **Your message can be up to 30 seconds long.**

If you do not record a personal message, then the default message, *“This is an emergency call, to accept press the hash key on your telephone now”* will play when the Pendant dials out the emergency number.

For SSE 47

To record a message on the SSE 47 base, when the Pendant is registered to the base, follow the steps given below.

1. Press and hold **ON/OFF+DELETE** keys on the base for 5 seconds.



2. The LCD displays, *“To Start, press OK”*. Press **MENU/OK**.
 - You will hear a prompt asking you to record your message.
3. Speak your message loud and clearly towards the front of the base, and then to stop recording, press **PLAY/STOP**. It's recommended that you add the instructions, *“to answer this call, press the hash key on your telephone”* to your personal message.
 - The Base will automatically playback the recorded message after recording. The base then returns to the standby mode.

Playback the Recorded Message

1. Press and hold **ON/OFF+REPEAT** keys on the base for 5 seconds. The LCD will display *“playback”* and the base starts to play the recorded emergency message.
2. Press **PLAY/STOP** to stop playing the recorded emergency message.
 - If the emergency message has not been recorded, nothing will play.

If you want to delete the message, press **DELETE** when the message is playing.

For SSE 45

To record a message on the SSE45 base, when the Pendant is registered to the base, follow the steps given below.

1. Press and hold **ON/OFF+DELETE** keys on the base for 5 seconds.



2. The base plays the following instruction, *“Record your Message”*.
 - After playing the confirmation tone, the Base starts recording the emergency message.
3. Speak your message loud and clearly towards the front of the base, and then to stop recording, press **PLAY/STOP**. It's recommended that you add the instructions, *“to answer this call, press the hash key on your telephone”* to your personal message.
 - The Base will automatically playback the recorded message after recording.The base then returns to the standby mode.

Playback the Recorded Message

1. Press and hold **ON/OFF+REPEAT** keys on the base for 5 seconds. The base starts to play the recorded emergency message.
2. Press **PLAY/STOP** to stop playing the recorded emergency message.
 - If the emergency message has not been recorded, nothing will play.

If you want to delete the message, press **DELETE** when the message is playing.

OPERATION

Make an Emergency Call

1. Press and hold **HELP** for 2 seconds, until you hear a beep sound.

And after that?

2. The Pendant will dial out the first emergency number (stored in the SOS1 entry).

a) As soon as the first emergency number is dialled, the pre-set emergency message will play, *“This is an emergency call, to accept press the hash key on your telephone now.”*

This message will be heard on the Pendant’s speaker and the outside line, and is repeated every 3 seconds. If a personal emergency message has been recorded, it will play that message first and then the pre-set message.

b) If the first emergency number is not answered after 60 seconds, then the next emergency number is dialled. This is repeated, if necessary, until 5 numbers have been dialled.

3. When the outside line answers the call and presses the # key, then the Pendant’s microphone is activated and you can talk through the Pendant.



To end a call:

- Press and hold **HELP** for 2 seconds, or until you hear a beep tone, to disconnect an emergency call.

or

- Place the Pendant in the cradle to end the call.
- ✂ **Ideally, place the Pendant back in the cradle so that the battery charges and the Pendant is ready for the next emergency call.**

IMPORTANT INFORMATION

- **Test the Pendant's HELP function regularly to ensure proper functioning.**
- **Always place the Pendant back in the cradle to ensure that the battery is charged and the Pendant is ready for the next emergency call.**
- **Charge the Pendant at least once per month or after activation. This is critical to ensure the Pendant's battery is always powered.**
- **It is recommended to activate the pendant once a month to ensure normal operation and battery.**
- **The Pendant is meant to be used by your personal emergency contacts - family, friends, neighbours. Do not use the Pendant to dial the police or other emergency numbers. The emergency response systems might not be technically equipped to respond to the Pendant.**
- **With the Pendant, you can reach out to 5 people. Ideally, try to add a contact number for the 5 available SOS numbers.**
- **You have to ensure that the emergency numbers have been programmed, otherwise the Pendant will not dial out anything.**
- **Store the phone numbers with the area code and in the order in which you want.**
- **The emergency feature will stop automatically when all the 5 SOS numbers have been dialled, or until the call has been answered and the receiver has pressed the # key.**
- **It is important to inform the people whose names are entered in the SOS contact list. Do not forget to mention that they have to press the # key when they answer the emergency call, in order to activate the microphone on the Pendant.**
- **To cancel the emergency call either press and hold HELP for 2 seconds or until you hear a beep sound, or place the Pendant back in the cradle.**

IMPORTANT INFORMATION FOR THE CARE PROVIDER

If you have a personal medical device such as a pacemaker or hearing aid, please consult with the manufacturer of this device to determine if it is adequately shielded from external RF (radio frequency) energy.

This telephone product operates in the frequency range of 1.88GHz to 1.90 GHz and has a maximum output power level of 0.25 watts.

If you wish to operate this product in a healthcare facility, please check with the facility to ensure there are no regulations requesting you not to do so. Hospitals or healthcare facilities may use equipment that could be sensitive to external RF (radio frequency) energy.

GENERAL INFORMATION

AC Adaptor

Parts Number	Input Voltage	Output Voltage
PS-S0540NL2	100-240V~, 50-60Hz 150mA	5.4V 400mA

- Use only the supplied AC adaptor.
- Do not place the unit in direct sunlight or subject it to high temperatures.

Battery Information

Type	Capacity	Talk time	Standby Time
Lithium-ion	230mAh, 3.7VDC	about 5 hours	about 30 days

- Please contact your place of purchase if the battery fails.

ONE-YEAR LIMITED WARRANTY

SSE P2 Pendant

IMPORTANT Satisfactory evidence of the original purchase is required for warranty service

Please refer to our Uniden website for any details or warranty durations offered in addition to those contained below.

Warrantor

The warrantor is either Uniden Australia Pty Limited ABN 58 001 865 498 (“Uniden Aust”).

Terms of Warranty

Uniden Aust warrants to the original retail purchaser only that the XDECT SSE P2 (“the Product”), will be free from defects in materials and craftsmanship for the duration of the warranty period, subject to the limitations and exclusions set out below.

Warranty Period

This warranty to the original retail purchaser is only valid in the original country of purchase for a Product first purchased either in Australia or New Zealand and will expire one (1) year from the date of the original retail sale.

If a warranty claim is made, this warranty will not apply if the Product is found by Uniden to be:

- (A) Damaged or not maintained in a reasonable manner or as recommended in the relevant Uniden Owner’s Manual;
- (B) Modified, altered or used as part of any conversion kits, subassemblies or any configurations not sold by Uniden Aust;
- (C) Improperly installed contrary to instructions contained in the relevant Owner’s Manual
- (D) Repaired by someone other than an authorized Uniden Repair Agent in relation to a defect or malfunction covered by this warranty; or
- (E) Used in conjunction with any equipment, parts or a system not manufactured by Uniden.

Parts Covered

This warranty covers the Product and included accessories.

User-generated Data

This warranty does not cover any claimed loss of or damage to user-generated data (including but without limitation phone numbers, addresses and images) that may be stored on your Product.

Statement of Remedy

If the Product is found not to conform to this warranty as stated above, the Warrantor, at its discretion, will either repair the defect or replace the Product without any charge for parts or service. This warranty does not include any reimbursement or payment of any consequential damages claimed to arise from a Product's failure to comply with the warranty.

Our goods come with guarantees that cannot be excluded under the Australian Consumer Law. You are entitled to a replacement or refund for a major failure and for compensation for any other reasonably foreseeable loss or damage. You are also entitled to have the goods repaired or replaced if the goods fail to be of acceptable quality and the failure does not amount to a major failure.

This warranty is in addition to and sits alongside your rights under either the COMPETITION AND CONSUMER ACT 2010 (Australia) or the CONSUMER GUARANTEES ACT (New Zealand) as the case may be, none of which can be excluded.

Procedure for Obtaining Warranty Service

Depending on the country in which the Product was first purchased, if you believe that your Product does not conform with this warranty, you should deliver the Product, together with satisfactory evidence of your original purchase (such as a legible copy of the sales docket) to Uniden. Please refer to the Uniden website for address details. You should contact Uniden regarding any compensation that may be payable for your expenses incurred in making a warranty claim. Prior to delivery, we recommend that you make a backup copy of any phone numbers, images or other data stored on your Product, in case it is lost or damaged during warranty service.

UNIDEN AUSTRALIA PTY LTD

Phone number: 1300 366 895

Email address: custservice@uniden.com.au

Uniden®

©2017 Uniden Australia Pty Ltd
Printed in Vietnam U01UU283ZZB(0)