

Uniden®

UH5045 **UHF CB Transceiver**

For more exciting new products please visit our website:
Australia: www.uniden.com.au

OWNER'S MANUAL

Contents

Introduction	
Features	3
Preventive Maintenance	4
Troubleshooting	4
Controls / Connectors	5
Indicators	9
Included with Your UHF CB Transceiver	10
Optional Accessories	11
Slide Mount Bracket	12
Connecting the Microphone	14
Mounting the MIC Hanger	15
Operation	
Turning on the Power	17
Setting the Volume	17
Setting the Manual Squelch	18
Setting the Auto Squelch	18
Monitor	19
Selecting a Channel	19
Programming the Instant Priority Channel	20
Recalling the Instant Channel	20
Transmitting	20
Call Function	20
Dual Watch	20
Using Repeater Channels	21
Operating the UHF CB Radio in Duplex Mode	22
Scanning	22
Open Scan (OS) Mode	23
Group Scan (GS) Mode	23
Priority Watch	24
Add/Remove Channels from SCAN Memory	24
50 RX Channels	25
Manual Programming	25
Deleting a programmed RX Channel frequency	25
Selecting the Call tone	26
Busy Channel Lockout	26
Roger Beep	27
Beep On/Off	27
CTCSS (Continuous Tone Coded Squelch System)	28
DCS (Digitally Coded Squelch)	28
Volume Sync	29
Backlight Colours	29
Backlight Brightness	30
LCD Contrast for Remote SPK/MIC	30
UHF CB Channel Guidelines	31
CTCSS & DCS Code List	34
Warranty	38

Introduction

The Uniden UH5045 is designed to provide you with years of trouble free service. Its rugged components and materials are capable of withstanding harsh environments. Please read this Operating Manual carefully to ensure you gain the optimum performance of the unit.



NOTE

The citizen band radio service is licenced in Australia by ACMA Radio-communications (Citizen Band Radio Stations) Class Licence and in New Zealand by MBIE General User Licence for Citizen Band Radio and operation is subject to conditions contained in those licenses.

Features

- Narrow Band (NB) 80 Channel Radio*
 - Transmission Power 5W
 - 50 Programmable Receive channels (450 - 520MHz in 12.5kHz steps)
 - Built-in AVS Circuitry†
 - LCD Display with Backlight
 - LCD Backlight brightness control ("off", "01", "02", "03")
 - Compact Size
 - Signal Strength/ Power Meter
 - Instant Channel Programming
 - One touch Instant Channel recalling
 - Dual Watch with Instant Channel
 - Duplex Capability (from CH01 - CH08 and CH41 - CH48 per channel)
 - Group Scan and Priority Channel Watch
 - Open Scan
 - Scan Channel Memory On/Off separately with Open Scan, Group Scan
 - Rotary Channel Select
 - Busy Channel Lock-out Function
 - Roger Beep Function On/Off
 - 5 Different Call Tones
 - 38 Built-in CTCSS (Continuous Tone Coded Squelch System) and 104 additional DCS (Digital Coded Squelch) codes that are user selectable
 - Volume Control with Power On/Off Push Switch
 - Optional Remote LCD Speaker Microphone (Remote SPK/MIC) and Extension Cable
 - Front and Rear MIC Jacks for increased mounting options
 - Variable Squelch Level adjust or Auto Squelch with optional Remote SPK/ MIC
- * Refer to p.31 - p.33 for channel information
- † AVS - Automatic Volume Stabilizer detects and manages incoming audio to comparable levels.

Introduction

Preventive Maintenance

The following system checks should be made every six to twelve months:

- Check the Standing Wave Ratio (SWR).
- Inspect the tightness of all electrical connections.
- Inspect the antenna coaxial cable for wear or breaks on the shielding.
- Inspect the tightness of all screws and other mounting hardware.

Troubleshooting

Should the unit malfunction or perform poorly, follow these procedures:

If the transceiver is completely inoperative: Check the power cord and fuse.

If there is trouble with receiving: Check the VOLUME control setting. Be sure the SQUELCH is adjusted properly. Possibly the radio is over-squelched.

If there is trouble with transmitting: Check that the transmission line (coaxial cable) is securely connected to the ANTENNA connector. Check that the antenna is fully extended for proper operation. Check that all transmission line (coaxial cable) connections are secure and free of corrosion.

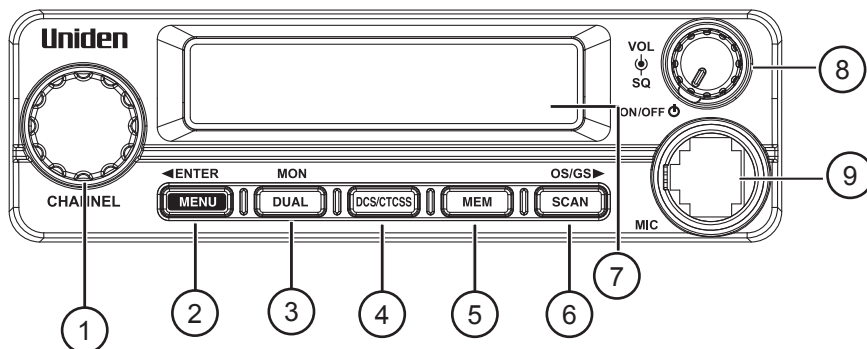


NOTE

Blackening may occur on the Liquid Crystal Display if the UHF CB Radio or optional Remote SPK/MIC has been subjected to extreme high temperature (above 60°C). This is not a fault. Normal LCD operation resumes when the temperature stabilizes back to standard operating condition (0-55°C).

Controls/Connectors

UH5045 Front View

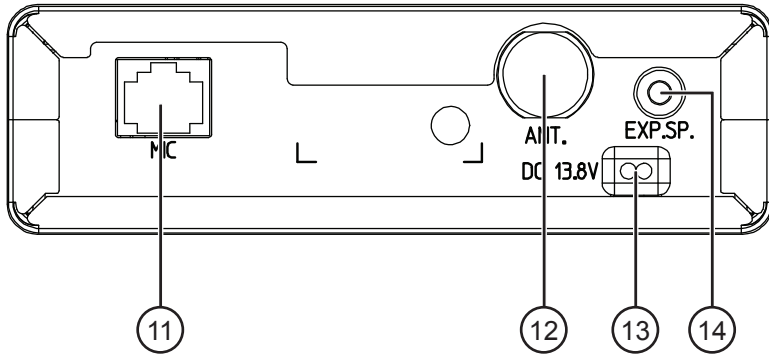


Controls and Connectors

- | | | | |
|----------------------|---------------------------------------|------------------------------|------------------------------|
| 1 | Rotary CHANNEL Selector | 6 | SCAN - Scan On/Off |
| 2 | MENU/ENTER - Menu and Select Button | OS/GS - Open or Group Scan | |
| 3 | DUAL - Dual Watch | 7 | Liquid Crystal Display (LCD) |
| MON - Monitor Button | | 8 | SQ - Rotary Squelch control |
| 4 | DCS/CTCSS - DCS and CTCSS Tone Button | VOL - Rotary Volume control | |
| 5 | MEM - Memory Scan Channels | ON/OFF - On/Off PUSH control | |
| | | 9 | MIC - Front Microphone Jack |

Controls/Connectors

UH5045 Rear View

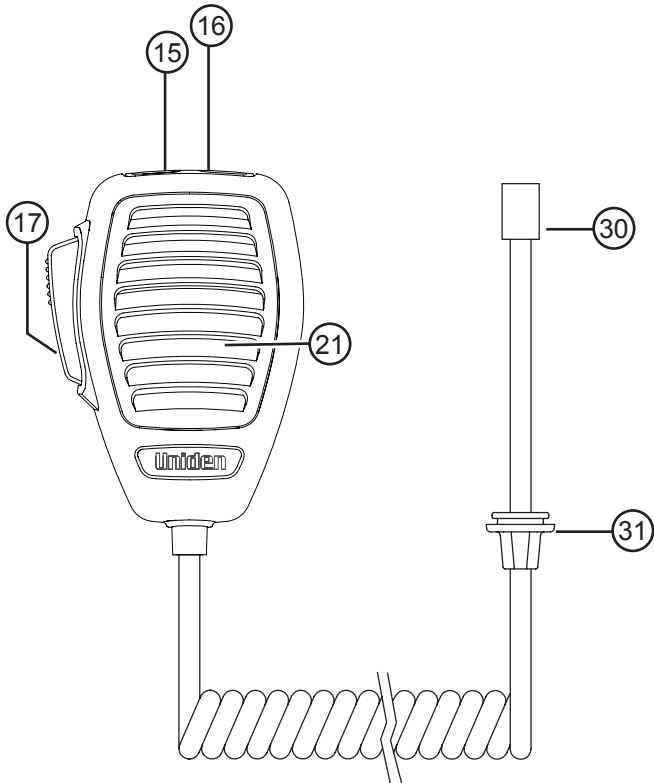


Connectors

- 11 Rear MIC Jack
- 12 UHF Antenna Connection
- 13 Power Input Connection (13.8VDC)
- 14 Ext. Speaker Jack

Controls/Connectors

Standard Microphone

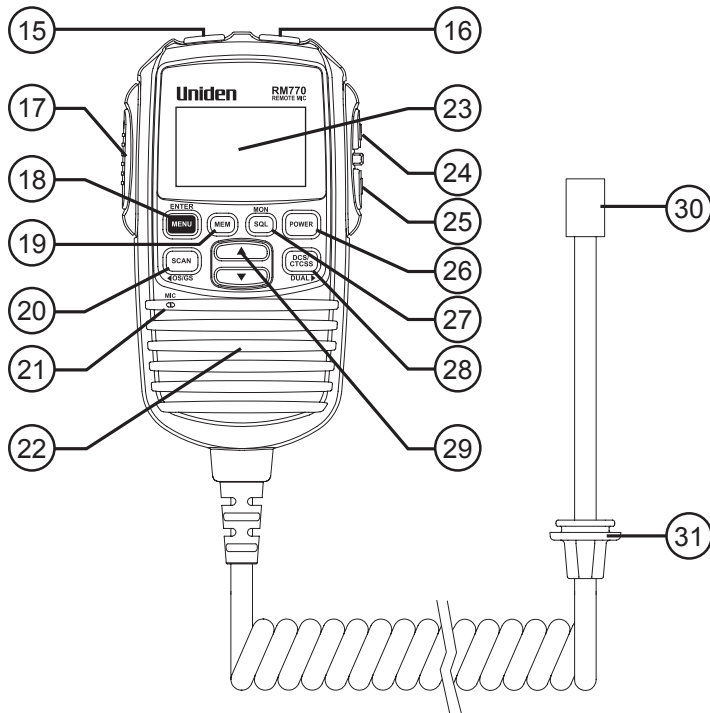


Controls and Connectors

- 15 CALL - Call Tone Button
- 16 INST - Instant Channel Button
- 17 PTT - Push To Talk Button
- 21 MICROPHONE
- 30 RJ45 type plug
- 31 Front MIC Jack Cover

Controls/Connectors

Remote LCD Speaker Microphone (Remote SPK/MIC) (Optional)

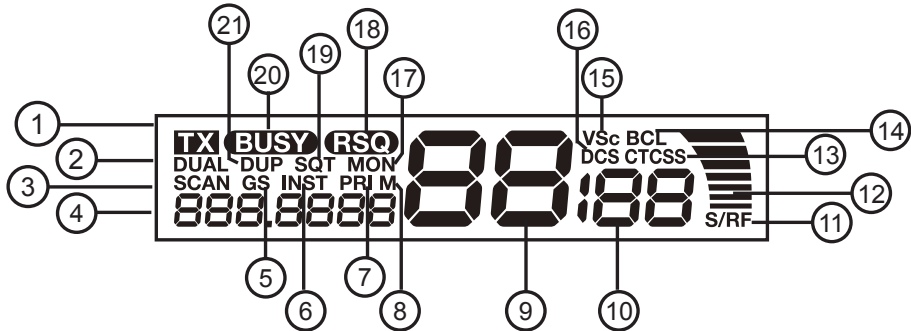


Controls and Connectors

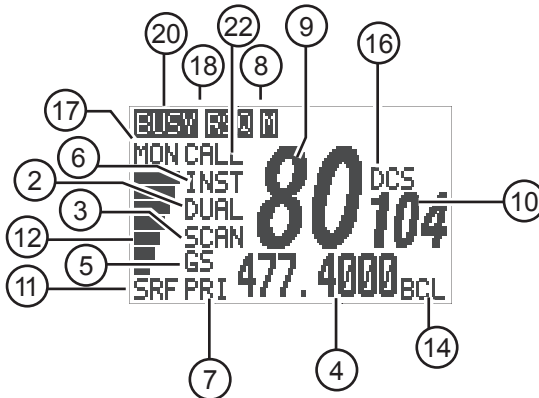
- | | |
|--|---|
| 15 CALL - Call Tone Button | 25 VOL ∇ - Volume Down Button |
| 16 INST - Instant Channel Button | 26 POWER - Power ON/OFF Button |
| 17 PTT - Push To Talk Button | 27 SQL - Auto Squelch |
| 18 MENU/ENTER - Menu and Select Button | MON - Monitor Button |
| 19 MEM - Memory Scan Channel | 28 DCS/CTCSS -- DCS & CTCSS Button |
| 20 SCAN - Scan Button | DUAL - Dual Watch Button |
| OS/GS - Open Scan/Group Scan | 29 \blacktriangle \blacktriangledown Select Up and Down Buttons |
| 21 MICROPHONE | 30 RJ45 type plug |
| 22 SPEAKER | 31 Front MIC Jack Cover |
| 23 Liquid Crystal Display (LCD) | |
| 24 VOL Δ - Volume Up Button | |

Indicators

UH5045



Optional Remote MIC LCD



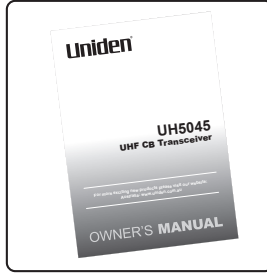
Indicators

- | | |
|--|---|
| 1. TX - Transmit | 13. CTCSS -Continuous Tone
Coded Squelch System |
| 2. DUAL - Dual Watch | 14. BCL - Busy Channel Lockout |
| 3. SCAN - Scan mode | 15. VSc - Volume Synch |
| 4. Channel Frequency | 16. DCS - Digital Coded Squelch |
| 5. GS - Group Scan | 17. MON - Monitor |
| 6. INST - Instant Channel | 18. RSQ - Remote Mic Squelch |
| 7. PRI - Priority Channel | 19. SQT - Tight Squelch Level |
| 8. M - Channel in Memory | 20. BUSY - Channel Active |
| 9. Channel Number | 21. DUP - Duplex Channel |
| 10. DCS/CTCSS Code Number | 22. CALL - Call Tone |
| 11. S/RF - Receive Signal or Transmit | |
| 12. Signal Power Level | |

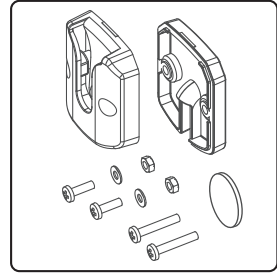
Included with your UHF CB Transceiver



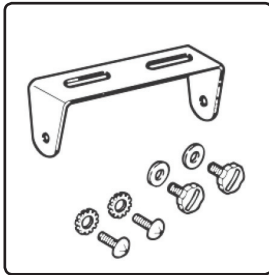
Standard Microphone



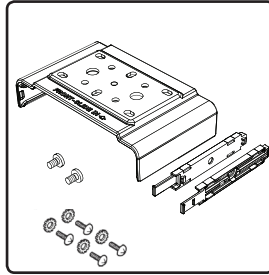
UHF CB Transceiver
Owners Manual



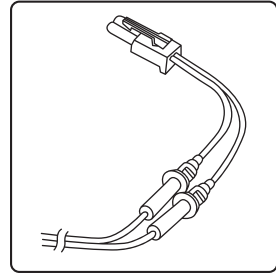
Microphone Hanger
with Screws/Washers
and Microphone Jack
Rubber Cover



Mounting Bracket,
Mounting Screws, Washer
Stars And Screws

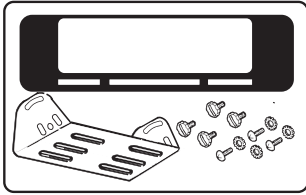


Slide Mount Bracket,
Guide Rails and Screws



DC Power Cord with fuse

Optional Accessories



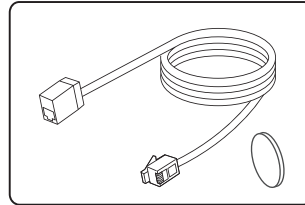
DIN Mounting Kit (DMK7740)
for compact models



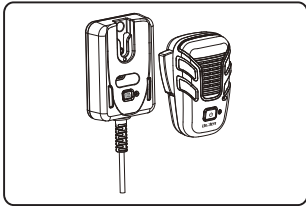
Remote LCD Speaker
Microphone (RM770)



External Speaker
(MS100)



Extension cable kit for Remote
LCD Speaker Microphone
(EC770) and Microphone Jack
Rubber Cover

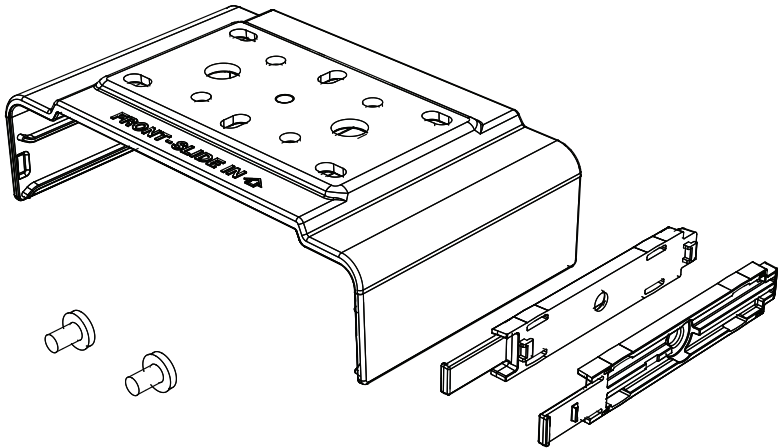


DECT Wireless
Speaker Microphone
(MK800W)

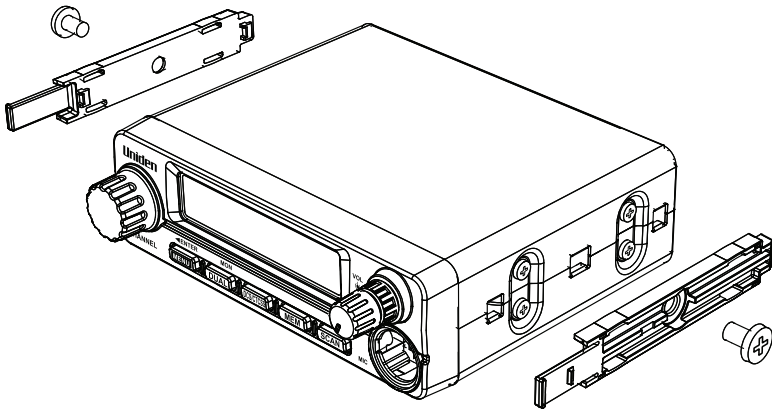
Slide Mount Bracket

How to attach Slide Mount Bracket?

When you unpack the box, ensure that you have the slide mount bracket, guide rails and the screws.

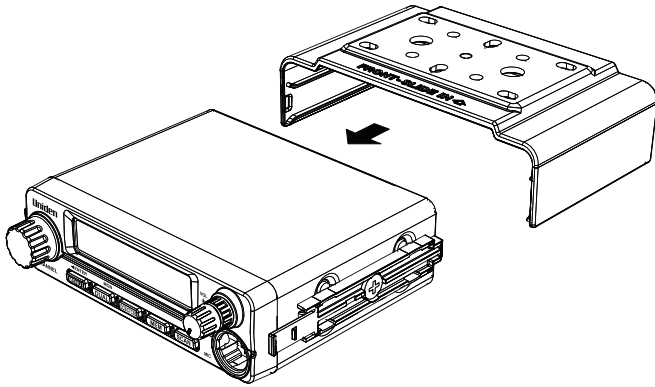


Align the guide rails along the side of the base and insert them into the slots provided. Then use the screws to lock them securely in position.

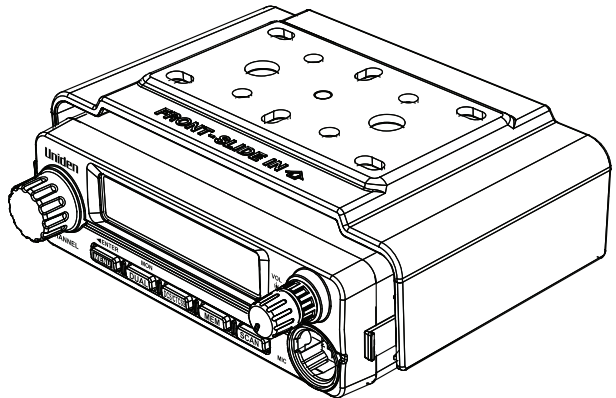


Slide Mount Bracket

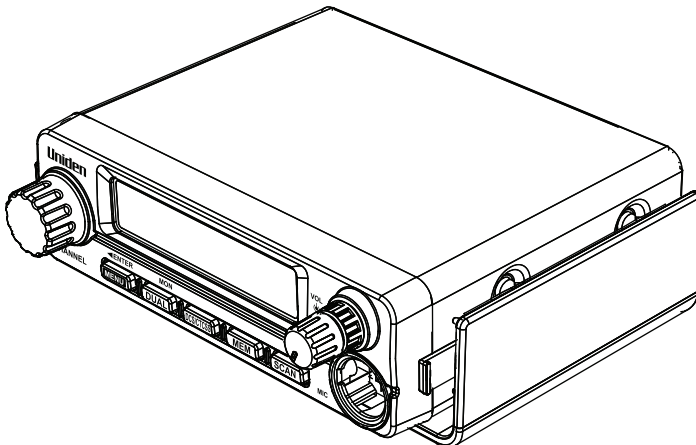
Slide the bracket along the guide rails to attach the bracket to the unit.



Over the BASE unit

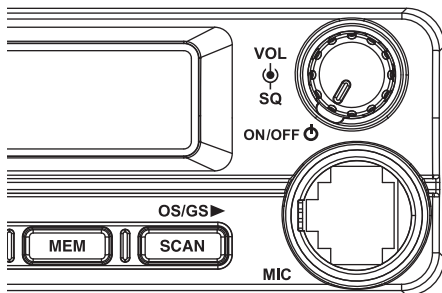


Under the BASE unit



Connecting the Microphone

UH5045



Front MIC Jack

Push the MIC plug at the end of the microphone into the MIC jack until the connection locks into place. Gently tug the MIC cord to test that the connection is locked. Use the Front MIC Jack cover which is threaded onto the MIC cord to seal the MIC jack entry from dust.

Disconnecting the MIC from the Front MIC Jack

Pull away the threaded rubber collar and move it down along the cord. Using the flat blade of a screwdriver or similar object carefully press the lock tab at the left side of the MIC plug and push it to the right. At the same time tug on the MIC cord to draw back the MIC plug.

Rear MIC Jack

Use the Rear MIC Jack if the main base is mounted where a front MIC connection is intrusive or if you wish to use the Remote LCD Speaker MIC with an optional extension cable.

Peel the dust cover from the rear MIC jack. Push the MIC plug at the end of the microphone into the MIC jack until the connection locks into place. An optional 2m extension cable kit is available to enable mounting the main base in a hidden location.



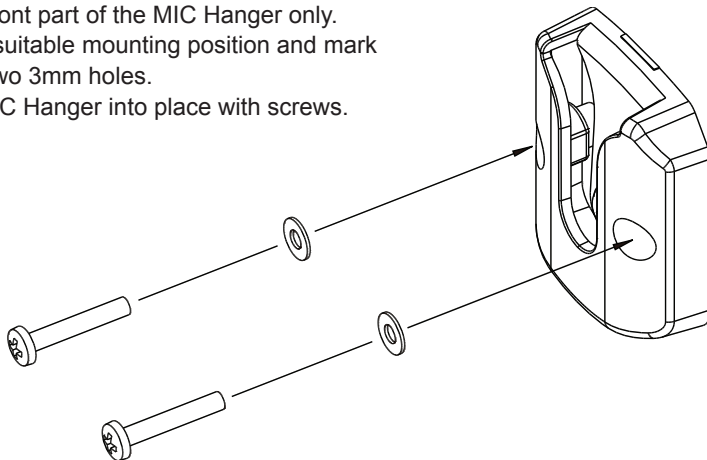
The Front and Rear MIC JACKs cannot be used at the same time.

Mounting the MIC Hanger

The Microphone Hanger comes in two parts. How and where you mount the MIC hanger will determine which parts to use.

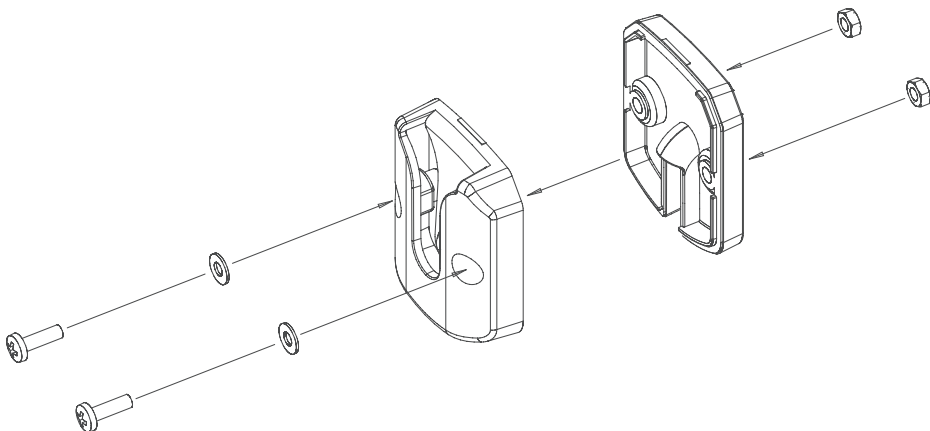
Conventional Mounting with Screws

Use the front part of the MIC Hanger only.
Locate a suitable mounting position and mark
and drill two 3mm holes.
Fix the MIC Hanger into place with screws.

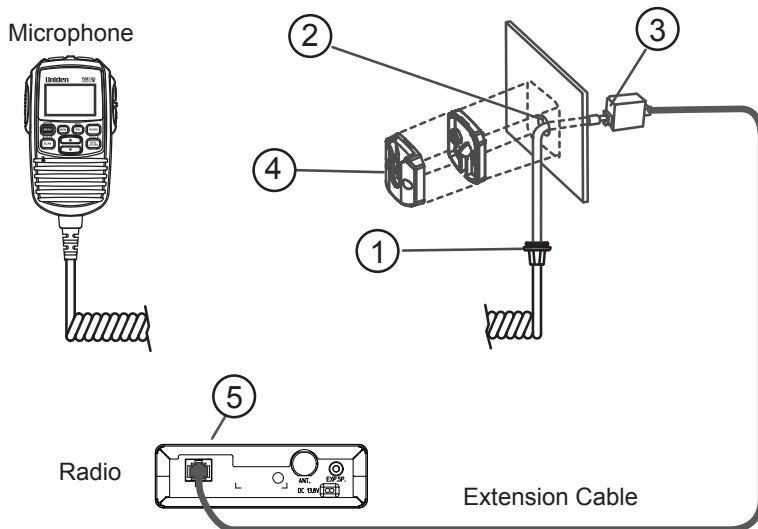


Conventional Mounting with Double Sided Tape (not supplied)

High quality Double-Sided tape can be found at good retail stores.
Secure the front and back pieces of the MIC Hanger using the supplied binding screws.
Locate a suitable mounting position.
Apply high quality Double-Sided tape onto the flat area of the MIC Hanger back piece
and then press firmly to the mounting position.



Mounting the MIC Hanger for Remote SPK/MIC



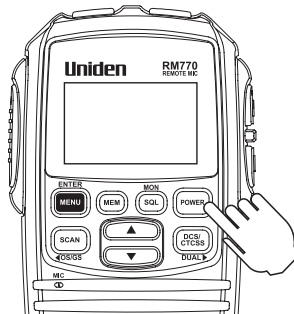
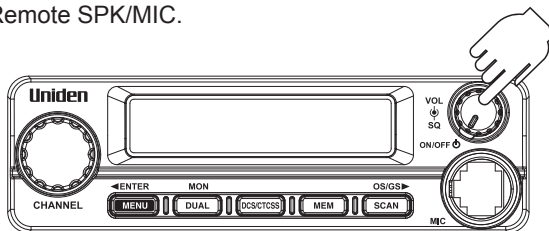
The plug of the extension cable connects to the Radio. The socket end of the extension cable connects with the microphone plug.

1. The rubber collar (dust cover) on the microphone cable is not required and can be cut away or pushed out of the way along the cable.
2. Drill a 13mm hole at the MIC hanger location.
3. Thread the microphone plug through the hole and connect with the extension cable.
4. Mount the MIC Hanger over the hole and cable.
5. At the Radio: Connect the extension cable plug to the rear MIC Jack. Fit the rubber bushing over the front MIC jack.

Operation

Turning on the Power

Press and hold the ON/OFF control at the base or the **[POWER]** button on the optional Remote SPK/MIC.



Setting the Volume

Turn the volume control at the base or press the volume ▲▼ on the side of the optional Remote SPK/MIC to adjust the volume. The base volume is composed of 42 steps and the optional Remote SPK/MIC is 7 steps.

See Volume Sync on page 27 to synchronize the volume control when the optional Remote SPK/MIC is connected.

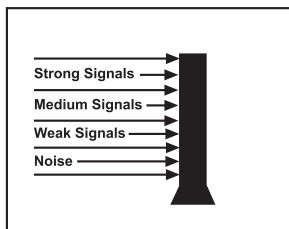
Operation

Setting the Manual Squelch

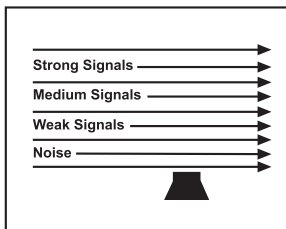
Turn the outer ring of the SQ control at the base to adjust the Squelch.



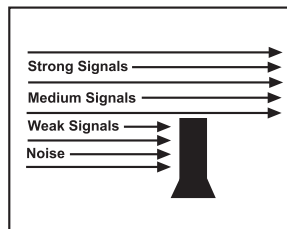
You must select a channel which is not in use before setting the SQUELCH control. (see p.19 for “Selecting a Channel”).



Think of the squelch control as a gate. If you turn Squelch fully clockwise it raises the ‘Squelch gate’ so high that no signals get through.



Think of the squelch control as a gate. If you turn Squelch fully clockwise it raises the ‘Squelch gate’ so high that no signals get through.



To set the ‘Squelch Gate’ to the desired level, turn the squelch knob counterclockwise until you hear noise. Then carefully turn the Squelch knob clockwise until the noise fades. Now only strong signals get through.

Setting the Auto Squelch

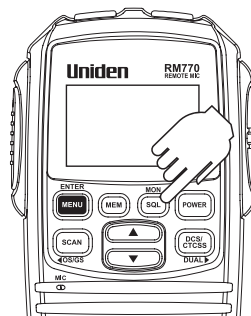
The Auto Squelch feature is available only when the optional Remote SPK/MIC is connected. It has an Off setting and 3 preset squelch levels:

oFF - Auto Squelch OFF

- 1 - max sensitivity (min squelch)
- 2 - med sensitivity (med squelch)
- 3 - min sensitivity (max/tight squelch)

It requires no adjustment.

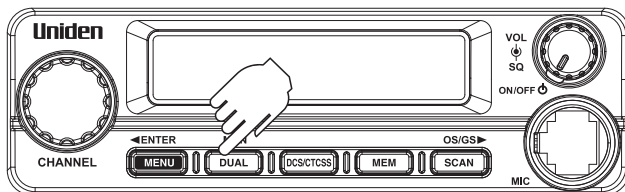
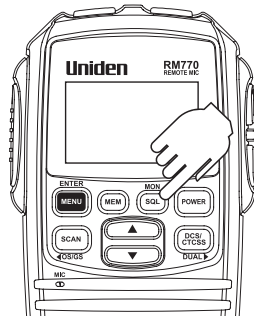
1. Press **[SQL/MON]** on the Remote SPK/MIC. The squelch setting flashes.
2. Rotate the channel knob at the base or press ▲ ▼ on the Remote SPK/MIC to change the setting. RSQ icon displays when Auto Squelch is active. If tight squelch is selected SQT icon will also flash.
3. Press **[MENU/ENTER]** to store the setting.



Operation

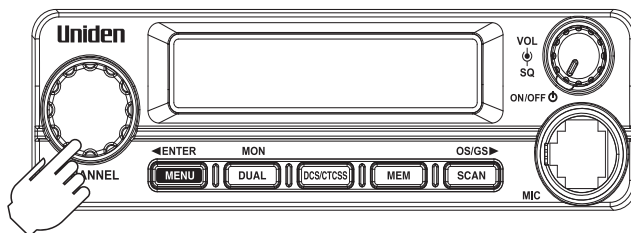
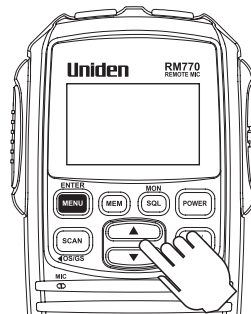
Monitor

Press and hold **[DUAL/MON]** at the base or **[SQL/MON]** on the optional Remote SPK/MIC to open the squelch and receive all weak signals. Press and hold **[DUAL/MON]** at the base or **[SQL/MON]** on the Remote SPK/MIC again to cancel.



Selecting a Channel

Turn the Rotary Channel Selector at the base or press **▲▼** on the optional Remote SPK/MIC to select the desired channel.



NOTE

For your reference a list of the available channels, corresponding frequencies and guidelines for their use is printed on page 31. For Australia, Channels 05 and 35 are reserved for Emergency Calls.

Operation

Programming the Instant Priority Channel

Turn the Rotary Channel Selector at the base or press ▲ ▼ on the optional Remote SPK/MIC to select the Priority Channel you prefer.

Press and hold **[INST]** button on the microphone for 3 seconds to store the new setting. INST icon appears.

Recalling the Instant Channel

Momentarily press the **[INST]** button on the microphone at any time to return to the Instant Channel.

Transmitting

The UHF CB Radio uses the UHF-CB Channels.



NOTE

For your reference a list of the available channels, corresponding frequencies and guidelines for their use and selection is printed on p.31 - p.33. For Australia, Channels 05 and 35 are reserved for Emergency Calls.

Select the desired channel. Press the microphone's **[PTT]** button and speak normally into the microphone. Hold it approx. 7cm from your mouth. Release the **[PTT]** button to end the transmission and listen for a reply.

Call Function

Press the microphone **[CALL]** Button. A three second ringing tone will be transmitted.

You may select from 5 types of tones (see p.26).



NOTE

Current regulations require calling tones to be restricted to one transmission per minute. If a second transmission is attempted within one minute then an error tone will sound.

DUAL Watch

Dual watch monitors the current channel and the Instant channel. (See Programming the Instant Priority Channel above).

Press **[DUAL/MON]** on the base or press and hold **[DCS/CTCSS/DUAL]** on the Remote SPK/MIC. DUAL icon appears and a short tone beep is heard.

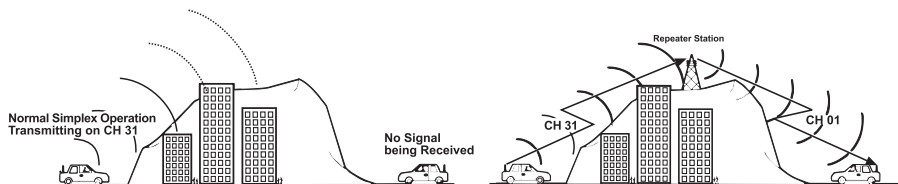
To cancel DUAL Watch press **[DUAL/MON]** on the base or press and hold **[DCS/CTCSS/DUAL]** on the Remote SPK/MIC. DUAL icon disappears.

Operation

Using Repeater Channels

UHF CB repeaters are used to retransmit or relay your signal. Repeaters will extend the range of your radio and overcome the shielding effect caused by solid obstructions. In normal Simplex operation, your radio transmits on one particular frequency and receives on that same frequency.

If there is a barrier that partially blocks your transmitted signal, the probability of another radio receiving the signal is very slim. Hills, tall buildings, metallic structures,... etc tend to act as a screen between radios.



Standard Operation without the aid of a Repeater Station.

Operation with the aid of a Repeater Station (Duplex).

The signal coming from your radio is received by the Repeater Station and the re-transmitted at the same time on another channel. This operation is called "Duplexing".

For example,

CH01 on Duplex Mode will Receive on CH01 but Transmit on CH31
CH02 on Duplex Mode will Receive on CH02 but Transmit on CH32 etc...

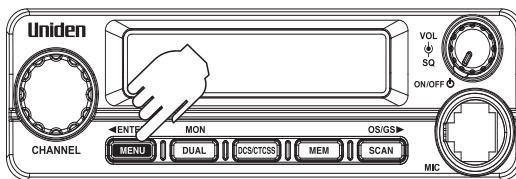
If you transmit on CH01 Duplex mode, you are actually transmitting on CH31 the repeater station down-converts your signal and retransmits on CH01.

Operation

Operating the UHF CB Transceiver in Duplex Mode

For this example we are adopting CH01 as the channel being used in your area for repeater use.

1. Press **[MENU/ENTER]**. The duplex setting flashes.
2. Turn the Rotary Channel Selector at the base or press ▲▼ on the Remote SPK/MIC to change the setting between ON (“r” for repeater channels 01 - 08 or “n” for repeater channels 41 - 48) or OFF.
3. Press **[MENU/ENTER]** to store the setting.
4. Press and hold **[MENU/ENTER]** to exit from the menu mode. Only channels 01 - 08 and 41 - 48 are available for Duplex.



NOTE

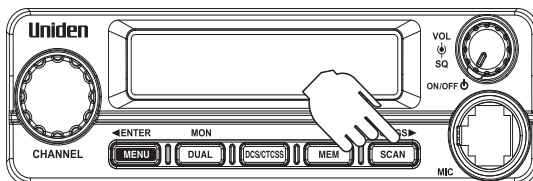
Check with your local Retailer for information on available repeaters.

Scanning

The UHF CB Radio has a scanning feature that allows you to search for active channels automatically.

Furthermore, the UHF CB Radio is designed to have two types of scanning; Open Scanning (OS) and Group Scanning (GS), to give you flexibility and allow you to use the radio more effectively. Press **[SCAN/OS/GS]** and Scanning starts.

The SCAN icon appears.
The scan direction can be changed at any time by rotating the channel selector left or right or pressing ▲▼ on the Remote SPK/MIC.



Operation

Open Scan (OS) Mode

Allows continuous scanning of all selected channels. If an active channel is found, scanning will stop on that channel. If the received signal ceases, the unit will wait 3 seconds for the signal to return, otherwise scanning resumes.



After transmission in scan mode, the unit will wait 20 seconds for the signal to return, otherwise scanning resumes.

To skip the active channel, turn the Rotary Channel Selector at the base or press ▲ ▼ on the Remote SPK/MIC momentarily. To deactivate SCAN, press **[SCAN/OS/GS]**.



NOTE

If SCAN is deactivated while on an active channel, the UHF CB Radio will stay on that active channel. If no channels are active, the UHF CB Radio will reinstate the starting channel.



NOTE

OS Mode is indicated by the absence of the GS icon.

Group Scan (GS) Mode

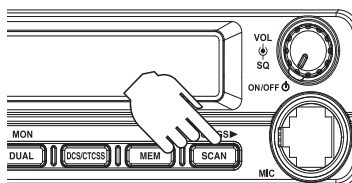
Includes the accessory feature Priority Watch which allows you to monitor the Instant Priority Channel while scanning (see p.20 for setting Instant Priority Channel and p.24 to turn on Priority Watch).

To use GS Mode Scanning, press and hold **[SCAN/OS/GS]**. GS icon appears on the display.

GS Scanning checks the Instant Priority Channel for activity regularly when Priority Watch is ON.

If the Priority Channel becomes active the radio will stay on that channel for as long as the signal is present. If the received signal ceases, Priority Scanning continues after 3 seconds.

If scanning stops on a channel which is not a Priority Channel, UHF CB Radio will continue monitoring the Priority Channel for activity while listening to the active one. To deactivate SCAN, press the **[SCAN/OS/GS]** button.



Operation

Priority Watch

To switch Priority Watch On/Off;

1. Press **[MENU/ENTER]** two times. The Priority Watch setting flashes.
2. Turn the Rotary Channel Selector at the base or press ▲ ▼ on the Remote SPK/MIC to change the setting between ON or OFF.
3. Press **[MENU/ENTER]** to store the setting.
4. Press and hold **[MENU/ENTER]** to exit from the menu mode.



NOTE

If SCAN is deactivated while it is tuned to an active channel, the UHF CB Radio will stay on that active channel.
If none of the channels are active, the UHF CB Radio will reinstate the scan start channel.



NOTE

If OS/GS Scanning is initiated when there are no channels programmed in OS/GS memory, an error tone will be heard and scanning will not start (see Programming Scan Channels - below).

Add/Remove Channels from SCAN Memory

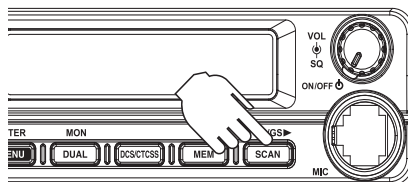
Select which Scanning Mode you wish to use
- OS or GS.

Select the channel you want to store.

Press to **[MEM]** store. MEM icon appears
and a short tone beep is heard.

To remove the channel from SCAN
memory, press **[MEM]** once more.

The MEM icon disappears.



Operation

50 RX Channels

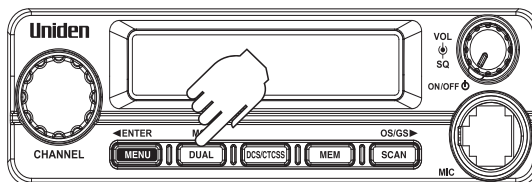
The radio has 50 receive only channels (CH81 to CH130) which can be programmed with frequencies ranging from 450-520MHz (in 12.5kHz steps).

Manual Programming

Turn power off.

Press and hold **[DUAL/MON]** at the base or **[SQL/MON]** on the Remote SPK/MIC while turning power on (pressing power switch on the base or **[POWER]** on the Remote SPK/MIC).

The channel indicator flashes the lowest available empty channel. You may use the rotary channel selector at the base or **▲▼** on the Remote SPK/MIC to select another channel from CH81 - CH130.



Press **[MEM]**. The MHz digits of the frequency indicator flashes. Turn the rotary channel selector at the base or press **▲▼** on the Remote SPK/MIC to select the desired MHz.

Press **[◀/MENU/ENTER]** and **[SCAN/OS/GS/▶]** at the base or **[◀/OS/GS/SCAN]** and **[DCS/CTCSS/DUAL/▶]** on the Remote SPK/MIC to change from the MHz digits to the kHz digits of the frequency, turn the rotary channel selector at the base or press **▲▼** on the Remote SPK/MIC to select the desired kHz.

When finished press **[MEM]**. The channel indicator flashes. Turn rotary channel selector at the base or press **▲▼** on the Remote SPK/MIC to select next channel for programming or press and hold **[MENU/ENTER]** to store setting.

A confirmation tone sounds. The channel is also entered into OS scan memory.

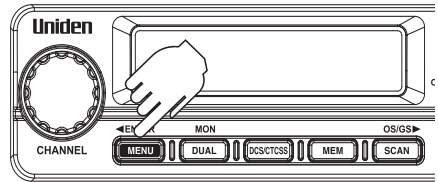
Deleting a programmed RX Channel frequency

Follow the steps in Manual Programming to enter a frequency for a desired channel. Select 000 for the MHz digits and then press **[MEM]**. Select another channel to edit or press and hold **[MENU/ENTER]** again to exit programming mode.

Operation

Selecting the Call tone

1. Press **[MENU/ENTER]** three times.
The call tone setting flashes.
2. Turn the Rotary Channel Selector at the base or press ▲▼ on the Remote SPK/MIC to change the setting between 1, 2, 3, 4 and 5.
3. Press **[MENU/ENTER]** to store the setting.
4. Press and hold **[MENU/ENTER]** to exit from the menu mode.



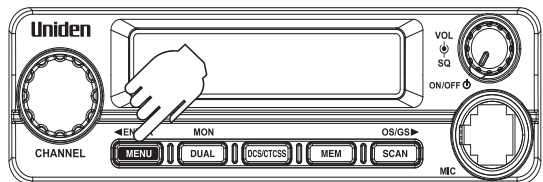
NOTE

If a button is not pressed within 10 seconds the UHF CB Radio will automatically exit the Menu Mode.

Busy Channel Lockout

If the channel is already in use, you can prevent the UHF CB Radio from transmitting. This is particularly important when using CTCSS/DCS.

1. Press **[MENU/ENTER]** four times. The BCL setting flashes.
2. Turn the Rotary Channel Selector at the base or press ▲▼ on the Remote SPK/MIC to change the setting between ON or OFF.
3. Press **[MENU/ENTER]** to store the setting.
4. Press and hold **[MENU/ENTER]** to exit from the menu mode.



NOTE

If a button is not pressed within 10 seconds the UHF CB Radio will automatically exit the Menu Mode.

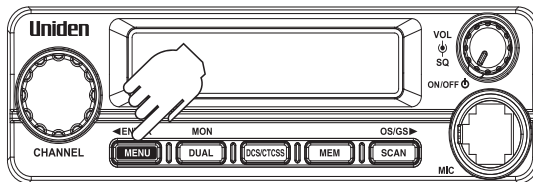
Operation

Roger Beep

1. Press **[MENU/ENTER]** five times. The roger beep setting flashes.
2. Turn the Rotary Channel Selector at the base or press ▲▼ on the Remote SPK/MIC to change the setting between ON or OFF.

3. Press **[MENU/ENTER]** to store the setting.

4. Press and hold **[MENU/ENTER]** to exit from the menu mode.



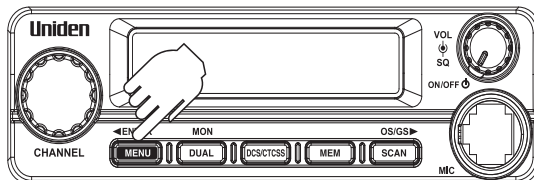
If a button is not pressed within 10 seconds the UHF CB Radio will automatically exit the Menu Mode.

Beep On/Off

1. Press **[MENU/ENTER]** six times. The Beep setting flashes.
2. Turn the Rotary Channel Selector at the base or press ▲▼ on the Remote SPK/MIC to change the setting between ON or OFF.

3. Press **[MENU/ENTER]** to store the setting.

4. Press and hold **[MENU/ENTER]** to exit from the menu mode.



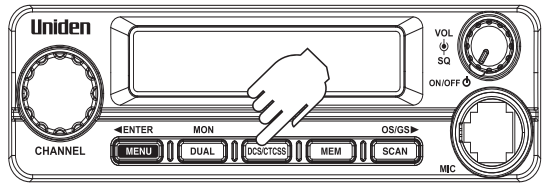
Operation

CTCSS (Continuous Tone Coded Squelch System)

Turn the Rotary Channel Selector at the base or press ▲ ▼ on the Remote SPK/MIC the desired channel to use CTCSS. Press **[DCS/CTCSS]**.

CTCSS icon appears.

Turn the Rotary Channel Selector at the base or press ▲ ▼ on the Remote SPK/MIC to select the desired CTCSS code 01 - 38.



Press **[DCS/CTCSS]** once to store the new setting.

To turn off CTCSS (or DCS) select the oF code during setting.

DCS (Digitally Coded Squelch)

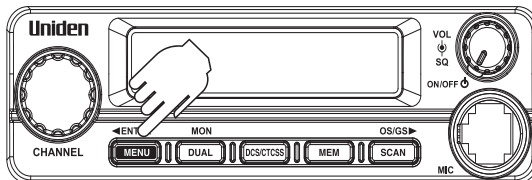
DCS is a digital extension of CTCSS. It provides 104 extra, digitally coded, squelch codes that follow after the 38 CTCSS codes. CTCSS 1-38, followed by DCS 1-104.

Follow the steps for setting a CTCSS code. Turn the Rotary Channel Selector at the base or press ▲ ▼ on the Remote SPK/MIC until the DCS codes appear. Press **[DCS/CTCSS]** to set. The DCS icon and code will display.

Operation

Volume Sync

1. Press **[MENU/ENTER]** seven times. The volume sync setting flashes.
2. Turn the Rotary Channel Selector at the base or press ▲ ▼ on the Remote SPK/MIC to change the volume sync on/off.
3. Press **[MENU/ENTER]** to store the setting.
4. Press and hold **[MENU/ENTER]** to exit from the menu mode.



NOTE

- When volume sync function is active, the volume of base and Remote SPK/MIC are synchronized.
- Volume sync function can be used only when the optional Remote SPK/MIC is connected.

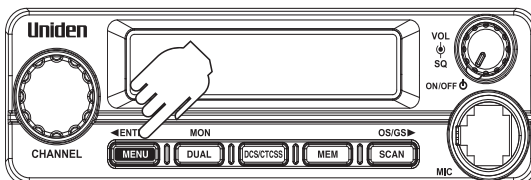
Backlight Colours

1. Press **[MENU]** 8 times. The Backlight setting flashes.
2. Turn the Channel Selector or press / to change the setting between Blue, Red, Purple(magenta), Green, Cyan, Yellow and Clear (white).
3. Press **[MENU]** to store the setting.
4. Press and hold **[MENU]** to exit from the menu mode.



NOTE

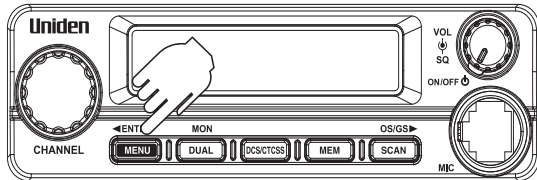
- Backlight colour change is not available for the optional Remote SPK/MIC.



Operation

Backlight Brightness

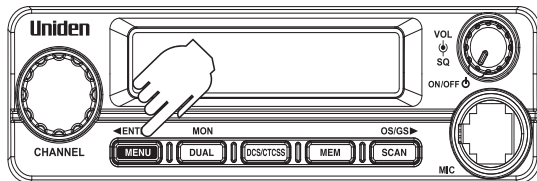
1. Press **[MENU/ENTER]** nine times. The Backlight setting flashes.
2. Turn the Rotary Channel Selector at the base or press **▲▼** on the Remote SPK/MIC to change the setting between OFF, 1(LO), 2(MID) and 3(HI) when standard MIC is connected, or OFF, 1(LO) and 2(HI) when Remote MIC is connected.
3. Press **[MENU/ENTER]** to store the setting.
4. Press and hold **[MENU/ENTER]** to exit from the menu mode.



LCD Contrast for Remote SPK/MIC

The LCD Contrast option becomes available only when the Remote SPK/MIC is connected.

1. Press **[MENU/ENTER]** ten times. The LCD Contrast setting flashes.
2. Turn the Rotary Channel Selector at the base or press **▲▼** on the Remote SPK/MIC to change the setting between 01 (low contrast) to 10 (high contrast).



3. Press **[MENU/ENTER]** to store the setting.
4. Press and hold **[MENU/ENTER]** to exit from the menu mode.



NOTE

The base LCD has a fixed contrast which cannot be changed.

UHF-CB Channel Guidelines

Always listen on a channel (or observe the receive signal level meter) to ensure it is not already being used before transmitting.

Channels 5 and 35 are used for emergency channels.
CTCSS will not operate on these channels.

Please follow these guidelines for channel use in Australia:

- Channels 05 and 35 are Emergency Channels.
- Channel 11 is a Calling Channel.
- Channels 22 and 23 are for telemetry and telecommand applications, channels 61, 62 and 63 are for future use and TX is inhibited on these channels.



NOTE

General communication is accepted on all other channels with these guidelines:

- Channel 40 - road channel (Australia).
- Channels 01-08 (and 31-38), and Channels 41-48 (and 71-78) are repeater channels.

Important information - 80 Channel UHF-CB channel expansion

To provide all users additional channel capacity within the UHF-CB Band. The ACMA will change the majority of the current wideband 40 channel use to narrowband channel use. This allows for additional channels to be added, up to 80 Channels.

This simply means that the new narrowband radio you have purchased will have more channels than older radios. Please refer to the guidelines above and the channel chart for further channel information.

A list of currently authorised channels can also be obtained from the ACMA website in Australia and the MBIE website in New Zealand.

Interference / Poor Audio



NOTE

When a new narrowband radio receives a signal from an older wideband radio the speech may sound loud - however the radio's built-in AVS (Automatic Volume Stabilizer) circuitry will detect and manage incoming audio to comparable levels.

Narrowband radios operating on CH41 - CH80 may encounter interference from a nearby wideband radios transmitting on high power on an adjacent channel (frequency).

When an older wideband radio receives a signal from a new narrowband radio the speech may sound quiet - the wideband radio user simply adjusts their radio volume for best performance.

The above situations are not a fault of the radio but a symptom of mixed wideband and narrowband radios in current use. It is expected that as older wideband radios are phased out this issue will be eliminated.

UHF-CB Channels and Frequencies

CH No.	Simplex Mode Transmit / Receive Frequency (MHz)	Duplex Mode Transmit Frequency (MHz)	CH No.	Simplex Mode Transmit / Receive Frequency (MHz)
1	476.425	477.175 (CH31)	21	476.925
2	476.450	477.200 (CH32)	22	476.950 (RX only)
3	476.475	477.225 (CH33)	23	476.975 (RX only)
4	476.500	477.250 (CH34)	24	477.000
5	476.525	477.275 (CH35)	25	477.025
6	476.550	477.300 (CH36)	26	477.050
7	476.575	477.325 (CH37)	27	477.075
8	476.600	477.350 (CH38)	28	477.100
9	476.625		29	477.125
10	476.650		30	477.150
11	476.675		31	477.175
12	476.700		32	477.200
13	476.725		33	477.225
14	476.750		34	477.250
15	476.775		35	477.275
16	476.800		36	477.300
17	476.825		37	477.325
18	476.850		38	477.350
19	476.875		39	477.375
20	476.900		40	477.400

UHF-CB Channels and Frequencies

CH No.	Simplex Mode Transmit / Receive Frequency (MHz)	Duplex Mode Transmit Frequency (MHz)	CH No.	Simplex Mode Transmit / Receive Frequency (MHz)
41	476.4375	477.1875 (CH 71)	61	future use 476.9375 (RX only)
42	476.4625	477.2125 (CH 72)	62	future use 476.9625 (RX only)
43	476.4875	477.2375 (CH 73)	63	future use 476.9875 (RX only)
44	476.5125	477.2625 (CH 74)	64	477.0125
45	476.5375	477.2875 (CH 75)	65	477.0375
46	476.5625	477.3125 (CH 76)	66	477.0625
47	476.5875	477.3375 (CH 77)	67	477.0875
48	476.6125	477.3625 (CH 78)	68	477.1125
49	476.6375		69	477.1375
50	476.6625		70	477.1625
51	476.6875		71	477.1875
52	476.7125		72	477.2125
53	476.7375		73	477.2375
54	476.7625		74	477.2625
55	476.7875		75	477.2875
56	476.8125		76	477.3125
57	476.8375		77	477.3375
58	476.8625		78	477.3625
59	476.8875		79	477.3875
60	476.9125		80	477.4125

CTCSS Codes and Frequencies

Code No.	Frequency (Hz)	Code No.	Frequency (Hz)
“oF”	OFF	20	131.8
1	67.0	21	136.5
2	71.9	22	141.3
3	74.4	23	146.2
4	77.0	24	151.4
5	79.7	25	156.7
6	82.5	26	162.2
7	85.4	27	167.9
8	88.5	28	173.8
9	91.5	29	179.9
10	94.8	30	186.2
11	97.4	31	192.8
12	100.0	32	203.5
13	103.5	33	210.7
14	107.2	34	218.1
15	110.9	35	225.7
16	114.8	36	223.6
17	118.8	37	241.8
18	123.0	38	250.3
19	127.3		

DCS Codes Table

Code No.	DCS Code (Octal)	Code No.	DCS Code (Octal)	Code No.	DCS Code (Octal)
1	023	36	223	71	445
2	025	37	225	72	446
3	026	38	226	73	452
4	031	39	243	74	454
5	032	40	244	75	455
6	036	41	245	76	462
7	043	42	246	77	464
8	047	43	251	78	465
9	051	44	252	79	466
10	053	45	255	80	503
11	054	46	261	81	506
12	065	47	263	82	516
13	071	48	265	83	523
14	072	49	266	84	526
15	073	50	271	85	532
16	074	51	274	86	546
17	114	52	306	87	565
18	115	53	311	88	606
19	116	54	315	89	612
20	122	55	325	90	624
21	125	56	331	91	627
22	131	57	332	92	631
23	132	58	343	93	632
24	134	59	346	94	654
25	143	60	351	95	662
26	145	61	356	96	664
27	152	62	364	97	703
28	155	63	365	98	712
29	156	64	371	99	723
30	162	65	411	100	731
31	165	66	412	101	732
32	172	67	413	102	734
33	174	68	423	103	743
34	205	69	431	104	754
35	212	70	432		

Notes

Notes

Warranty

UNIDEN UH5045 UHF CB Transceiver

IMPORTANT: Satisfactory evidence of the original purchase is required for warranty service

Please refer to our Uniden website for any details or warranty durations offered in addition to those contained below.

Warrantor: The warrantor is Uniden Australia Pty Limited ABN 58 001 865 498 (“Uniden Aust”).

Terms of Warranty: Uniden Aust warrants to the original retail purchaser only that the UH5045 (“the Product”), will be free from defects in materials and craftsmanship for the duration of the warranty period, subject to the limitations and exclusions set out below.

Warranty period: This warranty to the original retail purchaser is only valid in the original country of purchase for a Product first purchased either in Australia or New Zealand and will expire, as indicated below, from the date of original retail sale.

Product	5 Years
Accessories	1 Year

If a warranty claim is made, this warranty will not apply if the Product is found by Uniden to be:

- (A) Damaged or not maintained in a reasonable manner or as recommended in the relevant Uniden Owner’s Manual;
- (B) Modified, altered or used as part of any conversion kits, subassemblies or any configurations not sold by Uniden Aust;
- (C) Improperly installed contrary to instructions contained in the relevant Owner’s Manual
- (D) Repaired by someone other than an authorized Uniden Repair Agent in relation to a defect or malfunction covered by this warranty; or
- (E) Used in conjunction with any equipment, parts or a system not manufactured by Uniden.

Parts Covered: This warranty covers the Product and included accessories.

User-generated Data: This warranty does not cover any claimed loss of or damage to user-generated data (including but without limitation phone numbers, addresses and images) that may be stored on your Product.

Statement of Remedy: If the Product is found not to conform to this warranty as stated above, the Warrantor, at its discretion, will either repair the defect or replace the Product without any charge for parts or service. This warranty does not include any reimbursement or payment of any consequential damages claimed to arise from a Product’s failure to comply with the warranty.

Warranty

Our goods come with guarantees that cannot be excluded under the Australian Consumer Law. You are entitled to a replacement or refund for a major failure and for compensation for any other reasonably foreseeable loss or damage. You are also entitled to have the goods repaired or replaced if the goods fail to be of acceptable quality and the failure does not amount to a major failure.

This warranty is in addition to and sits alongside your rights under either the COMPETITION AND CONSUMER ACT 2010 (Australia) or the CONSUMER GUARANTEES ACT (New Zealand) as the case may be, none of which can be excluded.

Procedure for obtaining warranty service: Depending on the country in which the Product was first purchased, if you believe that your Product does not conform with this warranty, you should deliver the Product, together with satisfactory evidence of your original purchase (such as a legible copy of the sales docket) to Uniden. Please refer to the Uniden website for address details. You should contact Uniden regarding any compensation that may be payable for your expenses incurred in making a warranty claim. Prior to delivery, we recommend that you make a backup copy of any phone numbers, images or other data stored on your Product, in case it is lost or damaged during warranty service.

UNIDEN AUSTRALIA PTY LTD

Phone: 1300 366 895

Email: custservice@uniden.com.au

THANK YOU FOR BUYING A UNIDEN PRODUCT.

Uniden[®]

© 2015 Uniden Australia Pty Limited. Printed in PRC.
U01UT978ZZZ(0)